



b) EM108UF & EM102RFSS Universal Footpack & Super Strong Magnets - (21.5" / 55cm only)

Part No. EM108UF & EM102RFSS

Fixing: Temporary

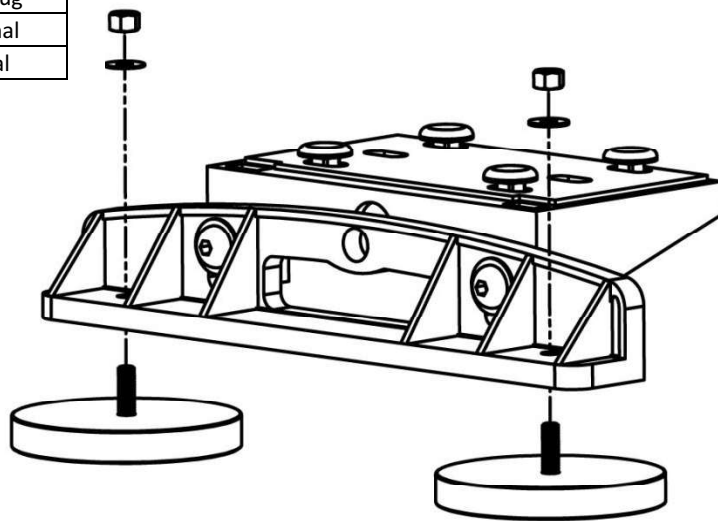
55-68mm elevation with adjustable angle

DEKRA speed test rated to 146mph/235kph

Can be used in conjunction with a Safety Lanyard (EM173L1)



Quantity	Description
4	Magnetic feet
4	M8 Nut
4	M8 Washer
4	M8 Nyloc
1	3 Core Cigarette plug
3	Red female terminal
3	Red male terminal



Installation instructions:

- i. Assemble Universal footpack kit as primary task.
- ii. Install to the Lightbar basetray.
- iii. Attached magnets through the positions as drawn.
- iv. Secure with 1 x M8x32 Ring washer and 1 x M8 Nyloc Nut (both provided in kit).
- v. Repeat on all 4 installation positions.
- vi. Height of footpack can be adjusted to assist with angled installation and/or to reach desired install height.