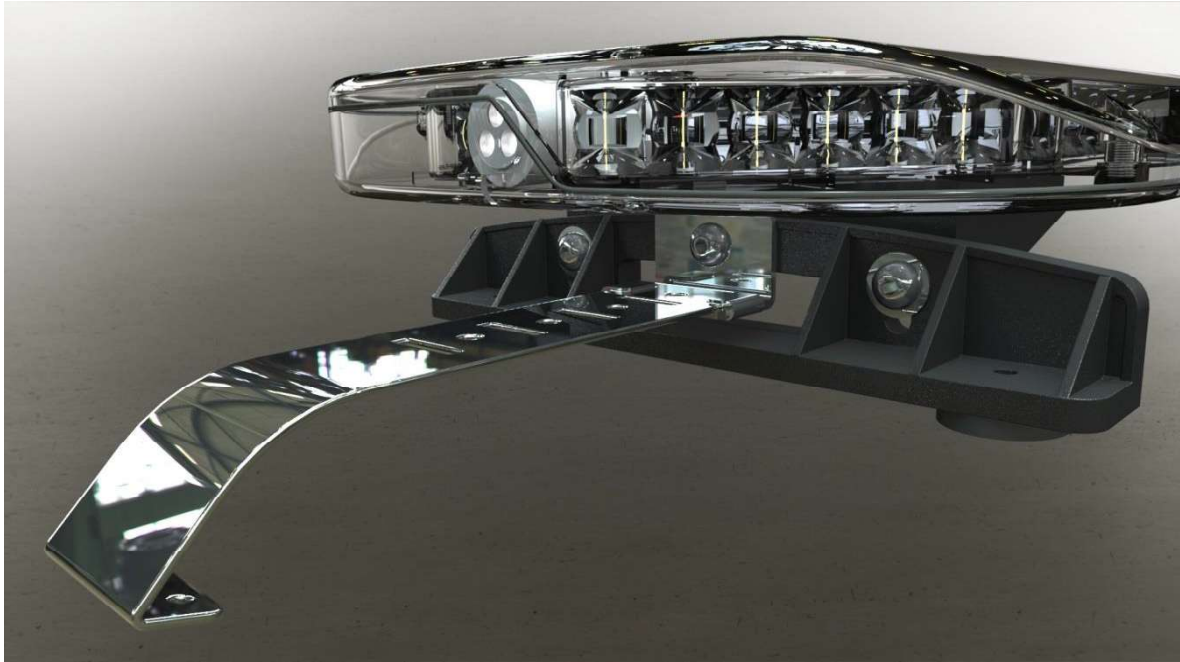




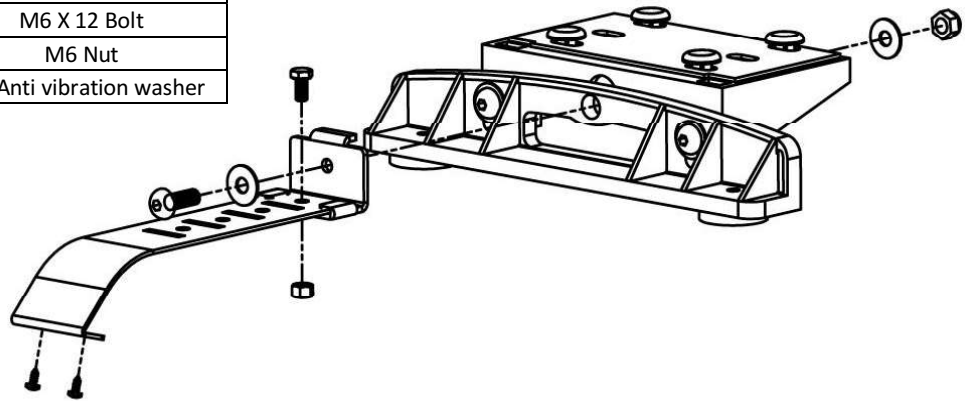
c) EM108UF & EM108GMUF Universal Footpack & Gutter Mount

Part No. EM108UF & EM108GMUF

Fixing: Semi-Permanent



Quantity	Description
1	M10 Allen key
2	M12 Washer
2	M12 X 25 Bolt
2	M12 Nyloc
2	Gutter bracket with foam
2	M6 X 12 Bolt
2	M6 Nut
2	M6 Anti vibration washer



Installation instructions:

- i. Assemble Universal footpack kit as primary task.
- ii. Install the Lightbar basetray – ideally keep it slightly loose for tightening later.
- iii. Install Gutter mount to Universal footpack using M12X25mm, 2 x M12 Ring Washer and 1 x M12 Nyloc nut.
- iv. Hook 'Gutter mount' onto vehicle and locate the appropriate installation hole on mating bracket.
- v. Secure correct position with 1 x M6x12 bolt, 1 x M6 anti-vibration washer & 1 x M6 Nut (both provided in kit).
- vi. If desired secure gutter mount into position on vehicle with 2x Appropriate self tapper screws (not provided).
- vii. Height of footpack can be adjusted to assist with angled installation and/or to reach desired install height.