



- Ultra-strong cast aluminium body
- Adjustable tilt and turn feature
- Powder coated black, weather resistant
- Ultra-bright latest generation LEDs
- Flood or spot models
- Flood 7,000 lumens
- Spot 12,000 lumens
- Supplied with fixing kit
- 11-30 volt operation
- 12v current draw 4.1 amps
- 24v current draw 2.4 amps
- IP66 Dust and Water resistant
- EMC/R10 compliant
- 5 year warranty
- Manufactured in the United Kingdom





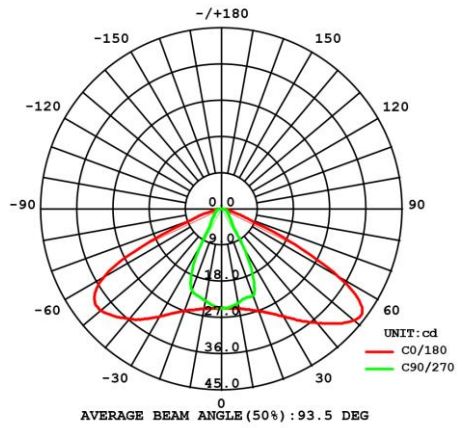
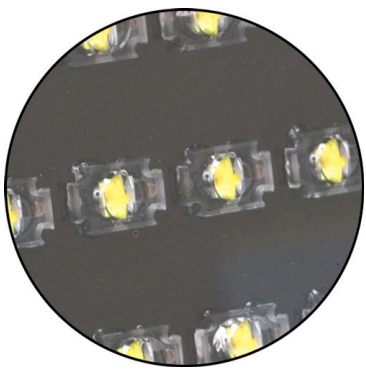
**Description**

The Redtronic™ Night-Angel flood and spot lamps are ideal for vehicles requiring considerable permanent-on white light illumination. Available with two styles of optics: flood and spot, the unique design of the base fixing point allows installers/users to modify the direction of the lamp if required. The main body is mainly comprised of aluminium which is designed to act as the heat-sink of the lamp.

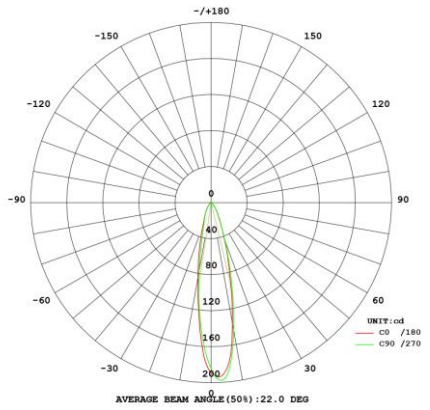
**Part Numbers**

ORDER CODE	DIMENSIONS (LxWxD)	LED COLOUR	LUMEN OUTPUT	LEDS	IP RATING
EM650	200x140x46mm	WHITE	7,000 (FLOOD)	18	IP66
EM660	200x140x46mm	WHITE	12,000 (SPOT)	18	IP66

**Night-Angel Flood light output**



**Night-Angel Spot light output**





**Example Light Output**

Volkswagen Passat Xenon headlights (on high/full beam)



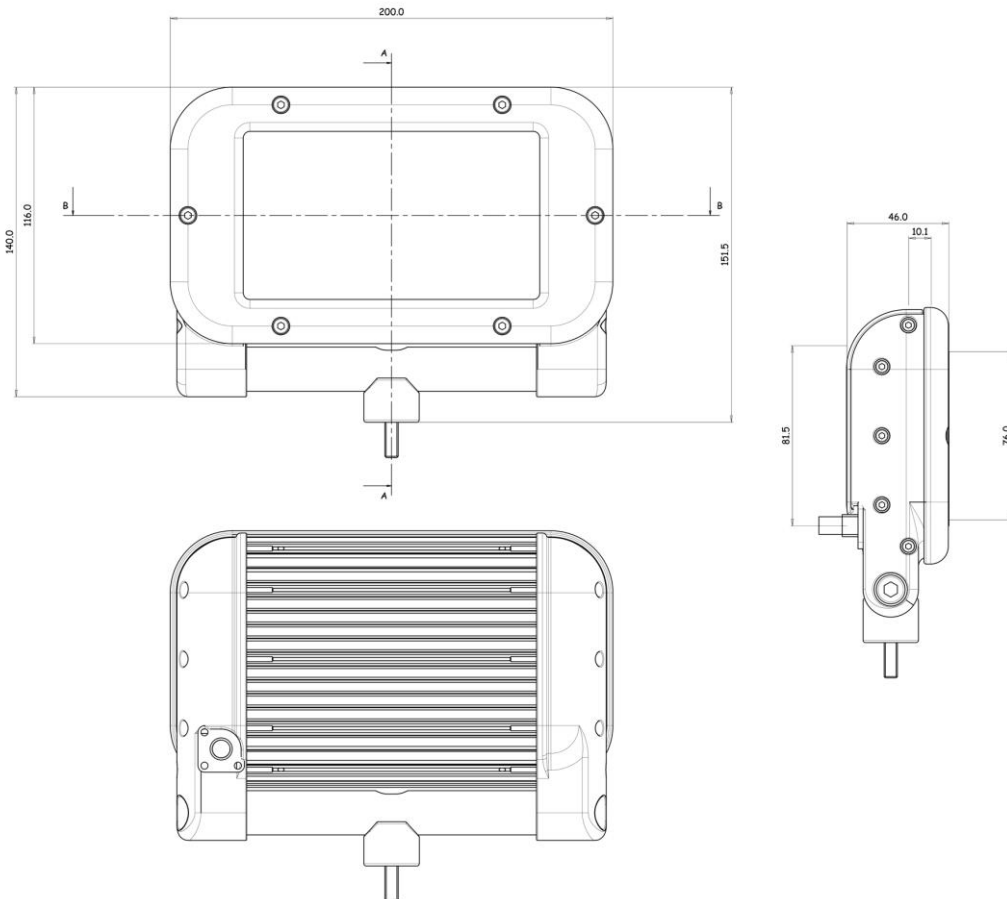
EM650 & EM660 Night Angel



**Technical Information**

	EM650 Flood Beam	EM650 Spot beam
Voltage Range	11 – 30v DC	11 – 30v DC
Average Current (12v)	4.1 amps	4.1 amps
Average Current (24v)	2.4 amps	2.4 amps
Light Output	7000 Lumens	12000 Lumens
LED power	63w	63w
Weight	1470g	1490g
Temperature Range	-40 to 105°C	-40 to 105°C
Approval	EMC (R10 equivalent)	EMC (R10 equivalent)

**Dimensions**





**Installation**

